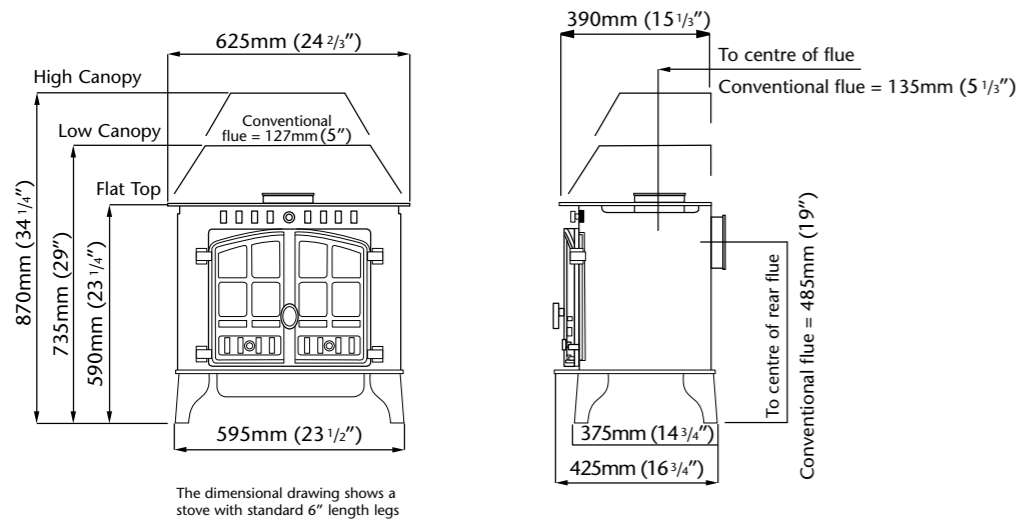


Technical Data

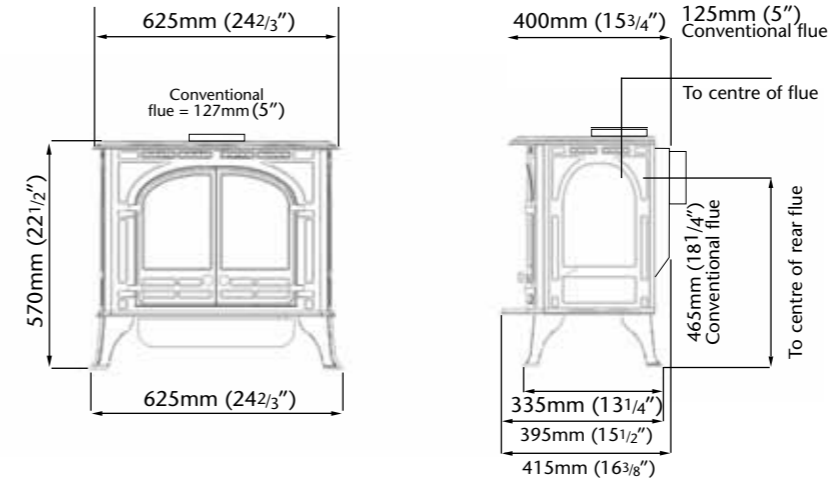


The Herald 6 Gas

Heat Inputs/Outputs

Conventional Flue
Max Heat Input = 6.5kW
Max Heat Output = 4.8kW

Efficiency
73 – 77%

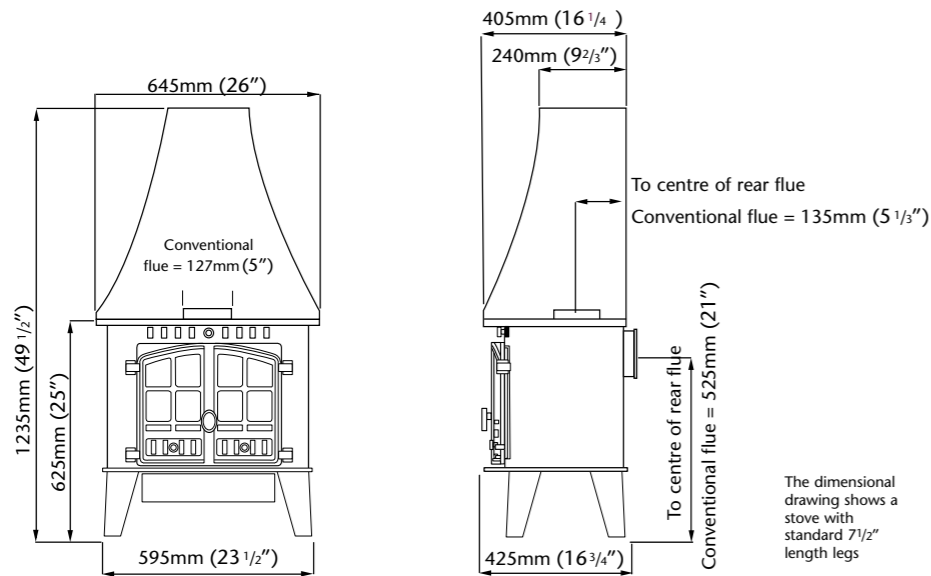


The Select 6 Gas

Heat Inputs/Outputs

Conventional Flue
Max Heat Input = 6.5kW
Max Heat Output = 4.8kW

Efficiency
73 – 77%

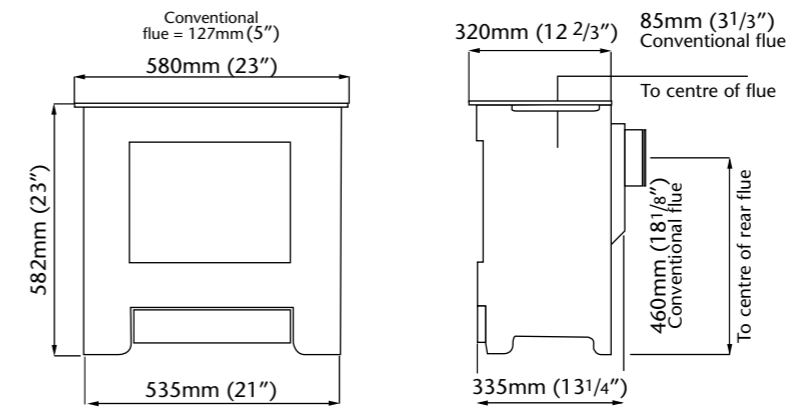


The Herald 6 Gas Inglenook

Heat Inputs/Outputs

Conventional Flue
Max Heat Input = 6.5kW
Max Heat Output = 4.8kW

Efficiency
73 – 77%

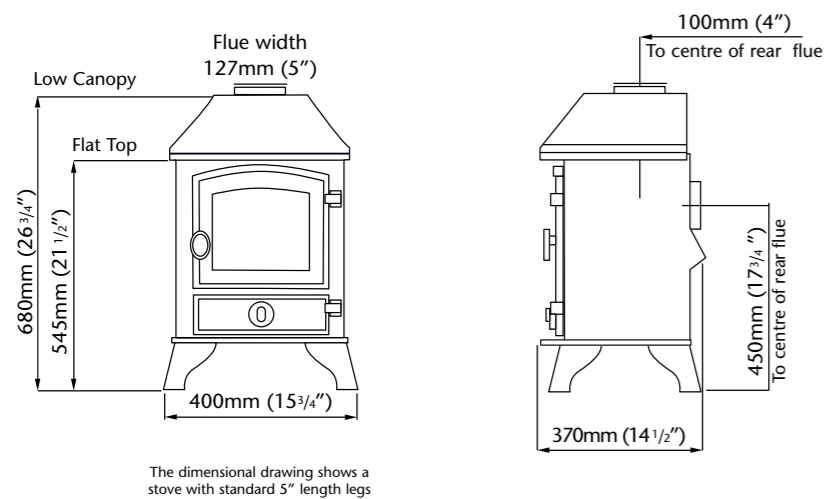


The Verona 6 Gas

Heat Inputs/Outputs

Conventional Flue
Max Heat Input = 6.5kW
Max Heat Output = 4.8kW

Efficiency
73 – 77%

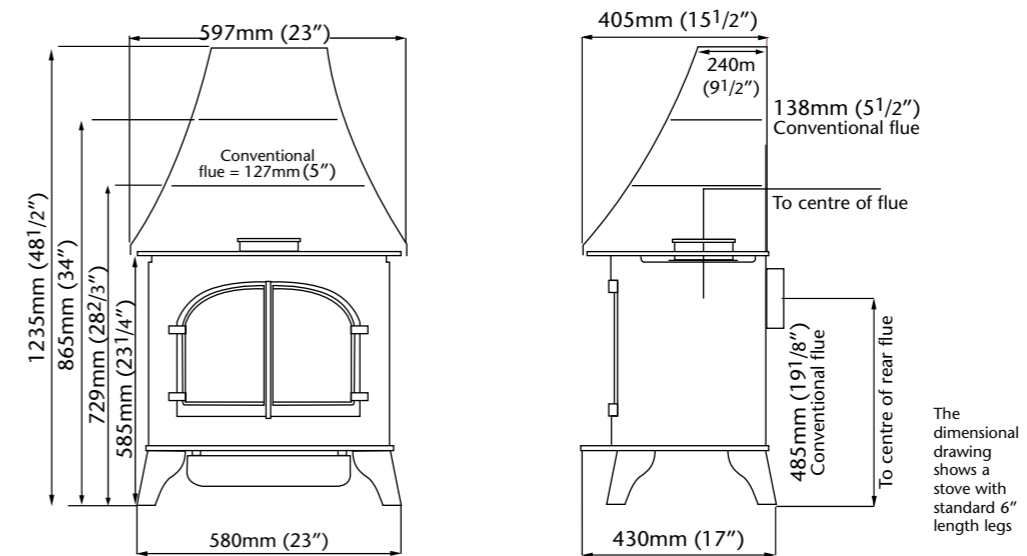


The Hawk 4 Gas

Heat Inputs/Outputs

Conventional Flue
Max Heat Input = 4.8kW
Max Heat Output = 3.7kW

Efficiency
75 – 78%



The Selene 6D Gas

Heat Inputs/Outputs

Conventional Flue
Max Heat Input = 6.5kW
Max Heat Output = 4.8kW

Efficiency
73 – 77%